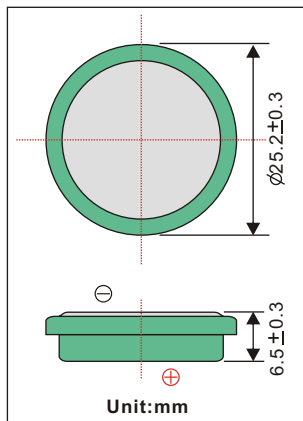


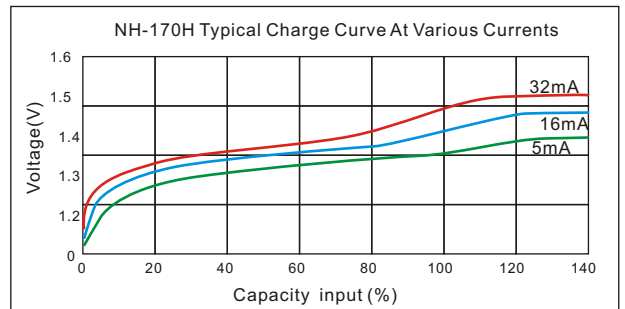
NH-170H *Brief datasheet*

Nickel Metal Hydride Battery

1 Dimension

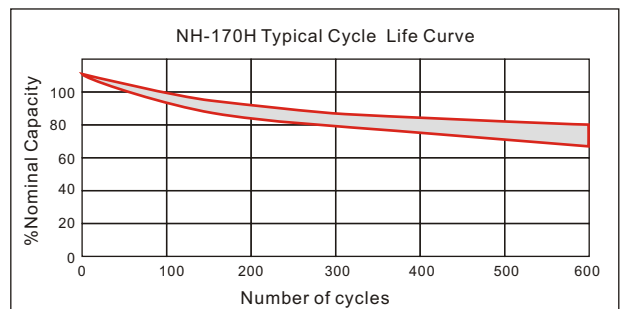
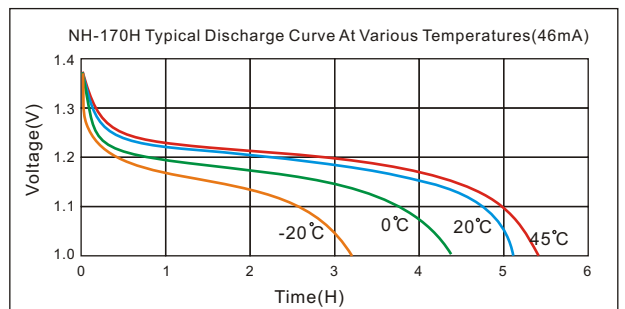


3 Electrical Characteristics



2 Basic Specification

Nominal Voltage		1.2V	
Nominal Capacity*		230mAh (0.2C discharge)	
Charge	Standard	23mA for 14hrs	
	Fast	46mA for Apr. 6hrs	
Standard Discharge		0.2C discharge to 1.0V	
Internal Impedance		≤500mohms	
Life Cycles		500 cycles	
Operation Temperature	Charge	Standard	0°C to 45°C
		Fast	10°C to 45°C
	Discharge		-10°C to 45°C
	Storage	<2year	-20°C to 35°C
<6month		-20°C to 45°C	
Discharge cut-off voltage		1.0V	
Weight		Approx. 10.2g	



Note: *Typical values relative to cells stored for less than 3 months or less at 30°C max.

*After charging at 0.1C for 14 hours.

*We recommend cells or batteries are charged once every 3 months.

Note: Any representations in this brochure concerning performance, are for informational purposes only and are not construed as warranties either expressed or implied, of future performance.

Ni-MH