

# SUPER CAPACITOR

## SC2H1621L-1.0F Brief Datasheet

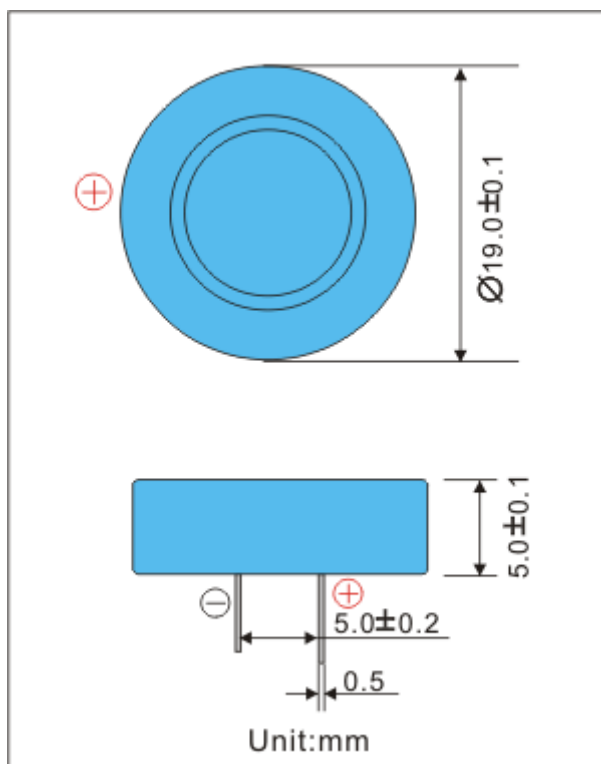
### 1. BASIC SPECIFICATION:

Items		Characteristic		
		Standard	Test condition	
1.1	Rated capacity	1.0F	The lowest capacity when charge @ 5mA rated, discharge @ 5mA to cut-off voltage 0.1V	
1.2	Nominal voltage	5.5V		
1.3	Cut-off voltage	0.1V		
1.4	Equivalent Resistance in series	$\leq 35 \Omega$	Test by instrument of interior resistance (AC1kHz)	
1.5	Charge voltage	5.5 $\pm$ 0.05V		
1.6	Charge time	Rated charge	Approx. 0.5 hour	Charge at 5mA
		Fast charge	Approx. 0.2hour	Charge at 10mA
1.7	Max. charge current	100mA		
1.8	Max. discharge current	100mA	When charge to 5.5V	
1.9	Short cut current	Over 180mA	When charge to 5.5V	
1.10	Working temperature	charge	-25 - 70°C	
		Discharge	-25 - 70°C	
1.11	Storage temperature	-20 – +45°C		
1.12	Average Weight	6.05g $\pm$ 0.2g		
1.13	Max. Size (mm)	Thickness	Diameter	The precision of vernier caliper is less than 0.02mm
		5.0 <sub>-0.2</sub> <sup>+0</sup>	19.0 <sub>-0.5</sub> <sup>+0</sup>	
1.14	Appearance	There is no defect in the surface, such as crack, change color, leaking or transfiguration		See by naked eyes

### 2. WARNING!

- \* Do not overcharge, force discharge, short-circuit, disassemble, deform, heat or place the capacitor near a direct flame. Any of the above actions could cause it to ignite, explode or become damaged.
- \* Keep this capacitor out of the reach of children.

### 3. DIMENSION



**Note:** Any representations in this brochure concerning performance, are for informational purposes only and are not construed as warranties either expressed or implied, of future performance.