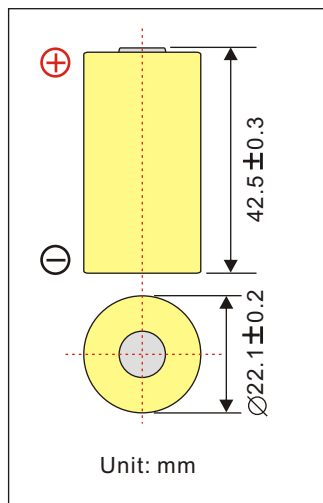


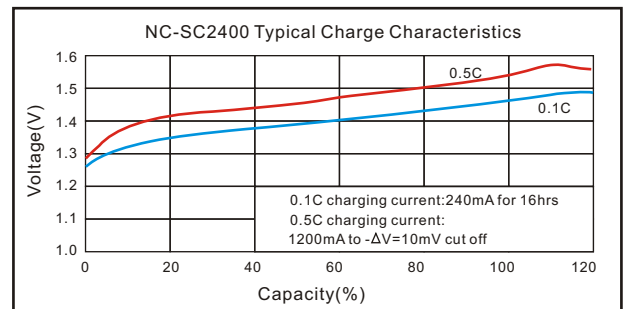
NC-SC2400 *Brief Datasheet*

Nickel Cadmium Battery

1 Dimension

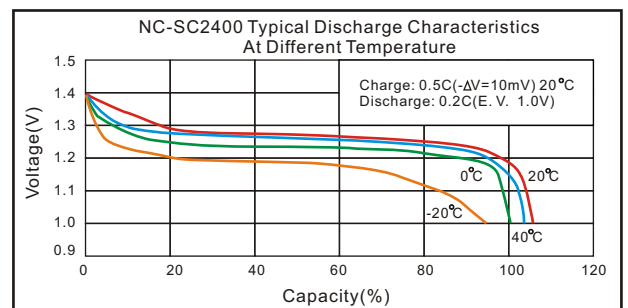
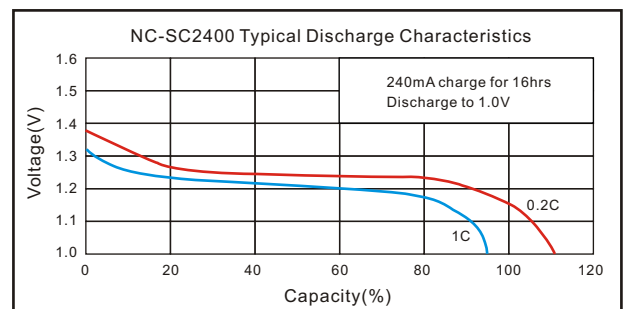


3 Electrical Characteristics



2 Basic Specification

Nominal Voltage		1.2V	
Nominal Capacity*	Typical	2400mAh (0.2C discharge)	
	Minimum	2350mAh (0.2C discharge)	
Charge	Standard	240mA for 16hrs	
	Fast	1200mA for Approx. 150mins	
Internal Impedance		≤25mohms	
Life Cycles		500 cycles	
Operation Temperature	Charge	Standard	0°C to 40°C
		Fast	10°C to 40°C
	Discharge		-10°C to 50°C
	Storage	<1year	-10°C to 30°C
<3month		-10°C to 40°C	
Discharge cut-off voltage		1.0V	
Weight		Approx. 52g	



Note: *Typical values relative to cells stored for less than 3 months or less at 30°C max.

*After charging at 0.1C for 16 hours.

*We recommend cells or batteries are charged once every 3 months.

Note: Any representations in this brochure concerning performance, are for informational purposes only and are not construed as warranties either expressed or implied, of future performance.

Ni-Cd