

SUPER CAPACITOR

SC1321-4.7F Brief Datasheet

1 BASIC SPECIFICATION

Model	SC1321	
Nominal Capacity	4.7F	The lowest capacity when charge @10mA rated, discharge @10mA rated to cut-off 0.1V
Capacity tolerance	-20%~+80%	
Nominal voltage	2.7V	
Open voltage	2.8V	
Equivalent Resistance in Series (ERS)	AC(1kHz)	≤100 mohms
	DC(1.5A)	≤80 mohms
Size	∅ 13.0mm x 21mm	
Net weight	2.8±0.1g	
Working temperature	-40℃~+70℃	
Storage temperature	-40℃~+80℃	
High temperature performance with loading	After continuously working for 1000 hours at 70℃	
	ΔC	≤30% of initial value
	IL	≤ 200% of ruled value
	ERS	≤ 400% of rules value
High temperature performance without loading	After continuously working for 1000 hours at 70℃	
	ΔC	≤30% of initial value
	IL	≤ 200% of ruled value
	ERS	≤ 400% of rules value
Humidity-resistance performance	After continuously works for 1000 hours at 40℃ and 90-95%RH	
	ΔC	≤30% of initial value
	IL	≤ 200% of ruled value
	ERS	≤ 400% of rules value
Cycle life	Repeat charge and discharge for 100000 cycles at 25℃	
	ΔC	≤30% of initial value
	ERS	≤ 400% of rules value

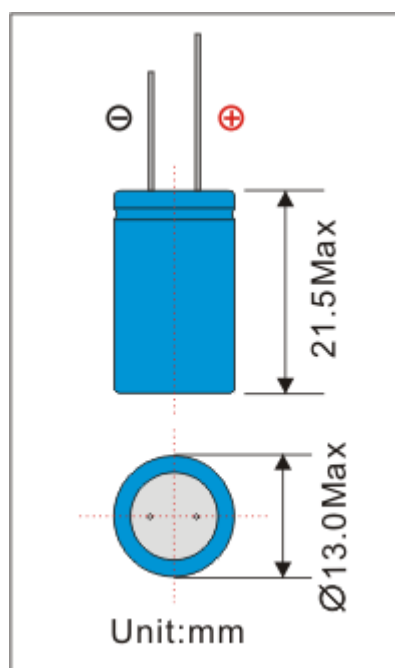
Note: Any representations in this brochure concerning performance, are for informational purposes only and are not construed as warranties either expressed or implied, of future performance.

2. WARNING!

* Do not overcharge, force discharge, short-circuit, disassemble, deform, heat or place the capacitor near a direct flame. Any of the above actions could cause it to ignite, explode or become damaged.

* Keep this capacitor out of the reach of children.

3. DIMENSION



Note: Any representations in this brochure concerning performance, are for informational purposes only and are not construed as warranties either expressed or implied, of future performance.

<http://eemb.com>

global@eemb.com